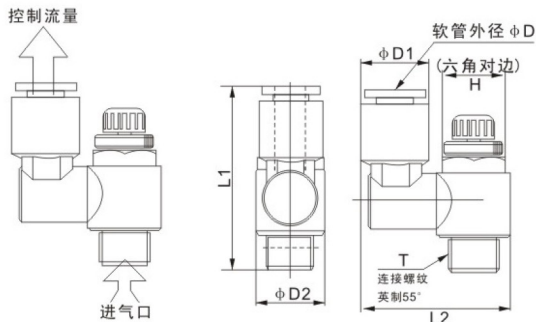
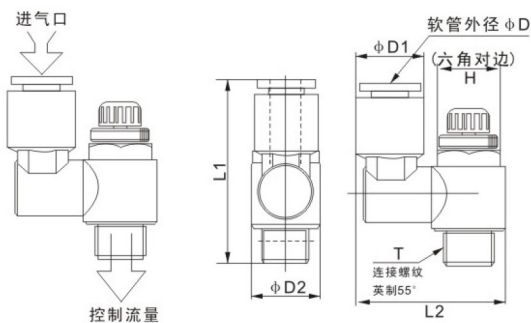


限出万向型速度控制阀：AS*301F


气管 φD	型号	连接螺纹		接头 外六角	接头外形			
		规格	A/A1	H	L2	φD1	φD2	L1
φ4	AS1301F-M3-04	M3×0.5	3.1	8	22.1	9.3	9.6	28.7
	AS1301F-M5-04	M5×0.8	4	8	22.1		9.6	28.7
	AS2301F-01-04S	1/8"	7.5	12	27.5	14.2	31.8	
	AS2301F-02-04S	1/4"	10.5	17	34.4	10.4	18.5	40.1
φ6	AS1301F-M3-06	M3×0.5	3.1	8	22.9	11.6	9.6	31.8
	AS1301F-M5-06	M5×0.8	4	8	22.9		9.6	31.8
	AS2301F-01-06S	1/8"	7.5	12	27.5	14.2	37.2	
	AS2301F-02-06S	1/4"	10.5	17	34.4	18.5	42.6	
	AS3301F-03-06S	3/8"	11	19	39.3	12.8	23	46.1
φ8	AS2301F-01-08S	1/8"	7.5	12	32.4	15.2	14.2	41.7
	AS2301F-02-08S	1/4"	10.5	17	36.4		18.5	45.6
	AS3301F-03-08S	3/8"	11	19	41	23	49.1	
φ10	AS2301F-01-10S	1/8"	7.5	12	40.2	18.5	14.2	43.6
	AS2301F-02-10S	1/4"	10.5	17	43.2		18.5	48.4
	AS3301F-03-10S	3/8"	11	19	43.3	23	53.5	
	AS4301F-04-10S	1/2"	14.5	24	47.9	28.6	58	
φ12	AS3301F-03-12S	3/8"	11	19	44.3	20.9	23	55.3
	AS4301F-04-12S	1/2"	14.5	24	48.9		28.6	61.7

* 脱离环可选颜色：灰、橘红、黑，塑壳体可选颜色：灰、黑。

限入万向型速度控制阀：AS*311F


气管 φD	型号	连接螺纹		接头 外六角	接头外形			
		规格	A/A1	H	L2	φD1	φD2	L1
φ4	AS1311F-M3-04	M3×0.5	3.1	8	22.1	9.3	9.6	28.7
	AS1311F-M5-04	M5×0.8	4	8	22.1		9.6	28.7
	AS2311F-01-04S	1/8"	7.5	12	27.5	14.2	31.8	
	AS2311F-02-04S	1/4"	10.5	17	34.4	10.4	18.5	40.1
φ6	AS1311F-M3-06	M3×0.5	3.1	8	22.9	11.6	9.6	31.8
	AS1311F-M5-06	M5×0.8	4	8	22.9		9.6	31.8
	AS2311F-01-06S	1/8"	7.5	12	27.5	14.2	37.2	
	AS2311F-02-06S	1/4"	10.5	17	34.4	18.5	42.6	
	AS3311F-03-06S	3/8"	11	19	39.3	12.8	23	46.1
φ8	AS2311F-01-08S	1/8"	7.5	12	32.4	15.2	14.2	41.7
	AS2311F-02-08S	1/4"	10.5	17	36.4		18.5	45.6
	AS3311F-03-08S	3/8"	11	19	41	23	49.1	
φ10	AS2311F-01-10S	1/8"	7.5	12	40.2	18.5	14.2	43.6
	AS2311F-02-10S	1/4"	10.5	17	43.2		18.5	48.4
	AS3311F-03-10S	3/8"	11	19	43.3	23	53.5	
	AS4311F-04-10S	1/2"	14.5	24	47.9	28.6	58	
φ12	AS3311F-03-12S	3/8"	11	19	44.3	20.9	23	55.3
	AS4311F-04-12S	1/2"	14.5	24	48.9		28.6	61.7

* 脱离环可选颜色：灰、橘红、黑，塑壳体可选颜色：灰、黑。

 Execution Element
 执行元件

 Control Units
 控制元件

 Air Sourcetreatment units
 气源处理元件

 Pneumatic Accessory
 气动辅件